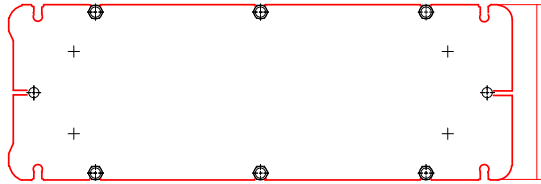
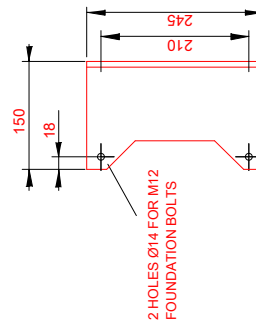
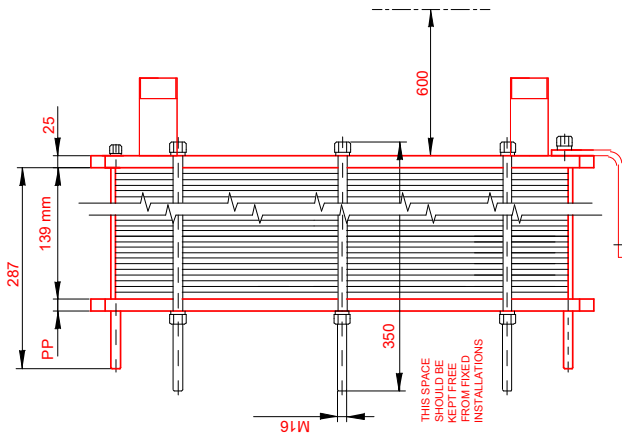


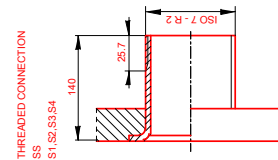
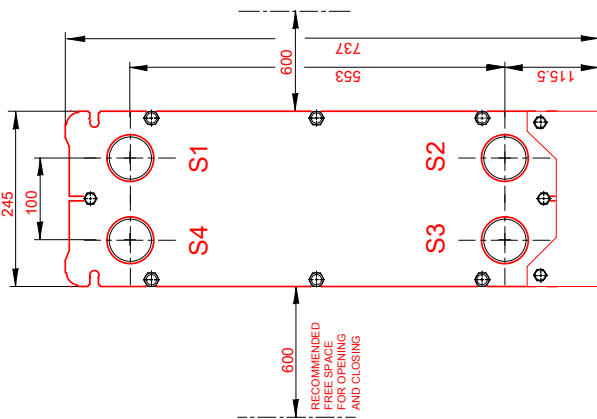
PRESSURE PLATE
(MOVABLE)
SECTION A-A
PP = 20



TEST PRESSURE	SIDE 1	SIDE 2
DESIGN PRESSURE	13.0 bar	13.0 bar
MAX TEMPERATURE	10.0 bar	10.0 bar
MIN TEMPERATURE	85.0 °C	80.0 °C
GASKET	0.0 °C	0.0 °C
PLATE MATERIAL	NBRP Clip-on	
PLATE THICKNESS	ALLOY 316	
HEAT LOAD	0.40 mm	
	150.0 kW	



FRAME PLATE
(FIXED)



ALL DIMENSIONS IN MILLIMETERS Do not use this drawing for foundation bolting or piping layout.

SIDE	MEDIA	F.D.G.	INLET	TEMP.	OUTLET	TEMP.	FLOW RATE	PRESSURE DROP
1	Water	2	S1	82.0 °C	S2	71.0 °C	12.1 m³/h	29.3 kPa
2	Water	2	S3	68.0 °C	S4	79.0 °C	12.0 m³/h	29.4 kPa



PLATE HEAT EXCHANGER
T5-BFG

PRESSURE VESSEL APPROVAL PED

www.alfalaval.com

CUSTOMER NAME / REF. NO.

TOTAL LENGTH	447 mm
TOTAL WIDTH	245 mm
TOTAL HEIGHT	737 mm
WEIGHT WITH WATER	98.8 kg

COMPANY / REF.
IPC - Industrial Power Cooling Ltd
ALPHE18/6951/MC - ORE SOLUTIONS

RISKCATEGORY Article 4.3

DATE 9/4/2018
REV 0