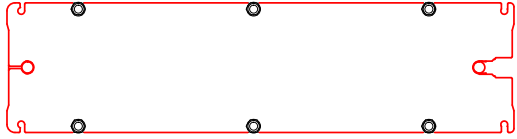
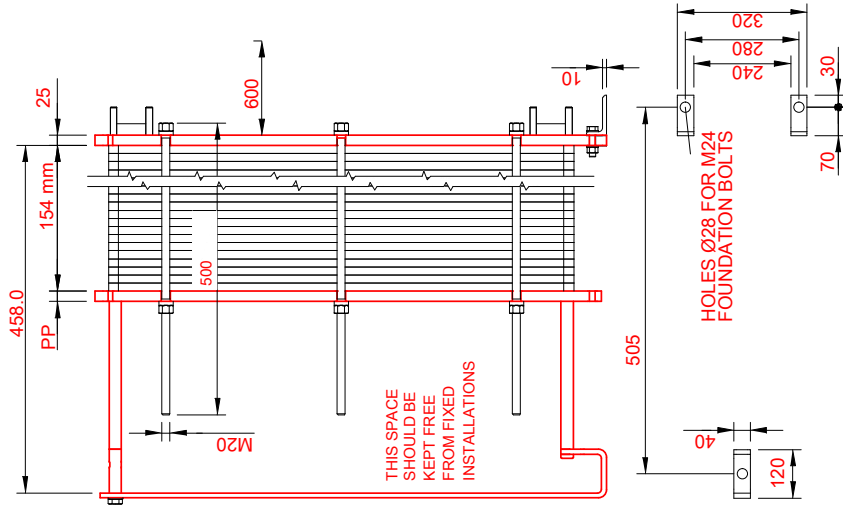


PRESSURE PLATE

(MOVABLE)
SECTION A-A
PP = 25

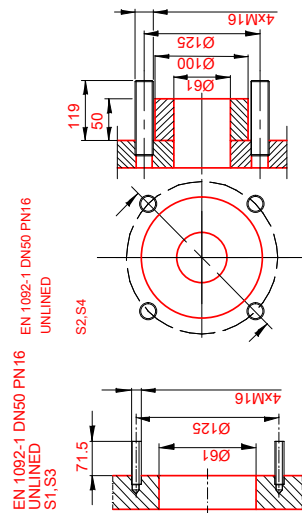
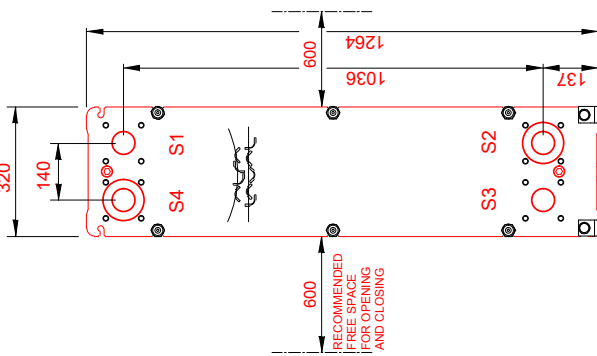


TEST PRESSURE	SIDE 1	SIDE 2
DESIGN PRESSURE	13.0 bar	13.0 bar
MAX TEMPERATURE	10.0 bar	10.0 bar
MIN TEMPERATURE	80.0 °C	80.0 °C
GASKET	0.0 °C	0.0 °C
PLATE MATERIAL	NBRB Clip-on	
PLATE THICKNESS	ALLOY 316	
HEAT LOAD	0.40 mm	
	450.0 kW	



FRAME PLATE

(FIXED)



ALL DIMENSIONS IN MILLIMETERS Do not use this drawing for foundation bolting or piping layout.

SIDE	MEDIA	F.D.G.	INLET	TEMP.	OUTLET	TEMP.	FLOW RATE	PRESSURE DROP
1	Water	2	S1	80.0 °C	S2	60.0 °C	20.0 m³/h	29.5 kPa
2	Water	2	S3	57.0 °C	S4	77.0 °C	19.7 m³/h	29.7 kPa



PLATE HEAT EXCHANGER
TL6-BFM

PRESSURE VESSEL APPROVAL PED

www.alfalaval.com

CUSTOMER NAME / REF. NO.

COMPANY / REF.
IPC - Industrial Power Cooling Ltd
ALPHE18/6906/MC - MULTI AUTOMATION

TOTAL LENGTH 615 mm
TOTAL WIDTH 320 mm
TOTAL HEIGHT 1264 mm
WEIGHT WITH WATER 281 kg

RISKCATEGORY Article 4.3

DATE 8/3/2018
REV 0