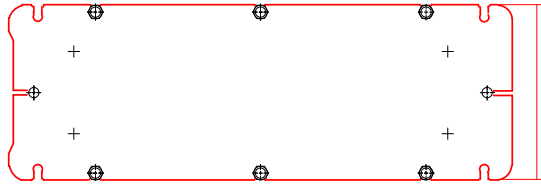
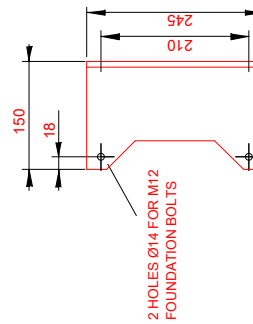
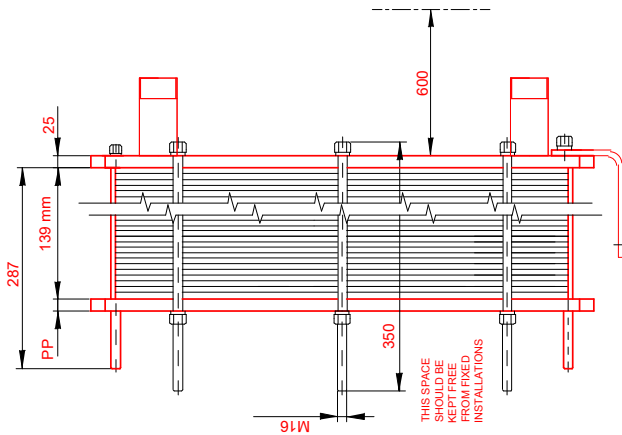


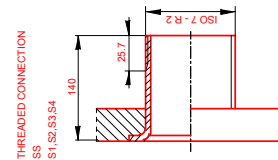
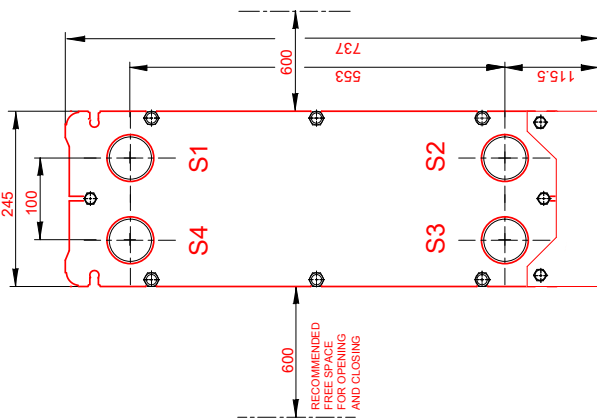
PRESSURE PLATE
(MOVABLE)
SECTION A-A
PP = 20



| | | |
|-----------------|--------------|----------|
| TEST PRESSURE | SIDE 1 | SIDE 2 |
| DESIGN PRESSURE | 13.0 bar | 13.0 bar |
| MAX TEMPERATURE | 10.0 bar | 10.0 bar |
| MIN TEMPERATURE | 85.0 °C | 85.0 °C |
| GASKET | 0.0 °C | 0.0 °C |
| PLATE MATERIAL | NBRP Clip-on | |
| PLATE THICKNESS | ALLOY 316 | |
| HEAT LOAD | 0.40 mm | |
| | 150.0 kW | |



FRAME PLATE
(FIXED)



ALL DIMENSIONS IN MILLIMETERS Do not use this drawing for foundation bolting or piping layout.

| SIDE | MEDIA | F.D.G. | INLET | TEMP. | OUTLET | TEMP. | FLOW RATE | PRESSURE DROP |
|------|-------|--------|-------|---------|--------|---------|-----------|---------------|
| 1 | Water | 2 | S1 | 85.0 °C | S2 | 74.0 °C | 12.1 m³/h | 28.5 kPa |
| 2 | Water | 2 | S3 | 71.0 °C | S4 | 82.0 °C | 12.0 m³/h | 28.5 kPa |



PLATE HEAT EXCHANGER
T5-BFG

PRESSURE VESSEL APPROVAL PED

www.alfalaval.com

CUSTOMER NAME / REF. NO.

| | |
|-------------------|---------|
| TOTAL LENGTH | 447 mm |
| TOTAL WIDTH | 245 mm |
| TOTAL HEIGHT | 737 mm |
| WEIGHT WITH WATER | 98.8 kg |

COMPANY / REF.
IPC - Industrial Power Cooling Ltd
IPC18/6940/MC - CUMMINS

DATE 9/6/2018
REV 0

RISKCATEGORY Article 4.3